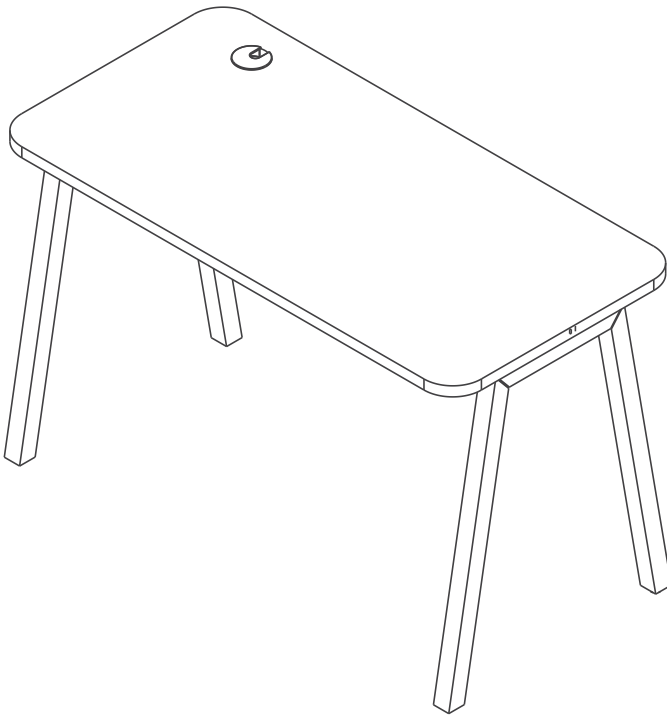




# Installation Guideline

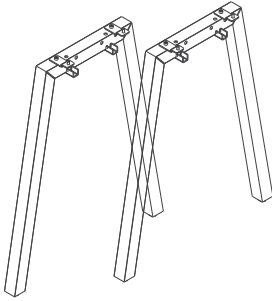


---

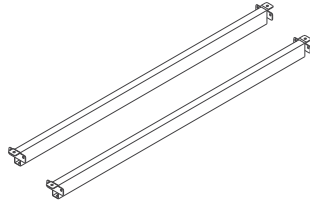
**Ivo**

# Components

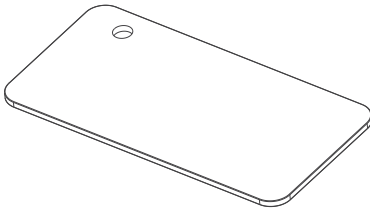
---



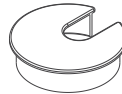
Leg



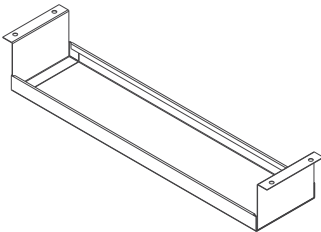
Cross member



Work Top



Wire Manager



Wire Manager Tray

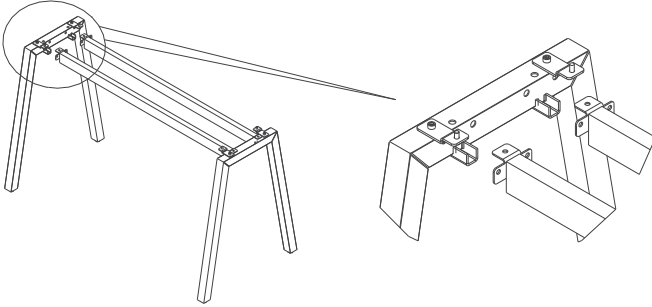
## Tools Required

---

Allen Key (available in fastener set)

# Easy 4 Step Assembly

---

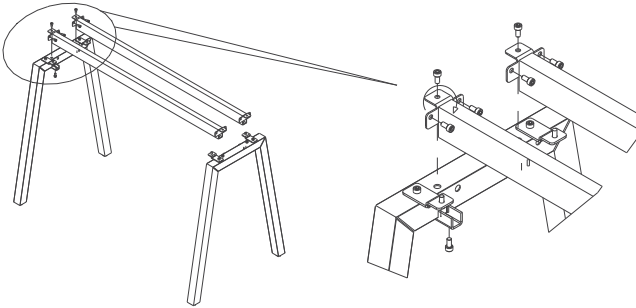


## STEP 1

Align leg and cross members

(keep both legs vertical and guide cross member in leg brackets)

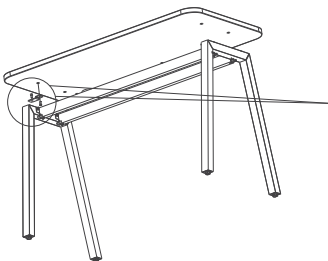
---



## STEP 2

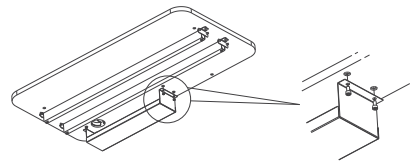
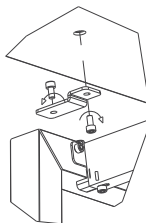
Leg to leg assembly with cross members (Allen bolt by using Allen key)

---



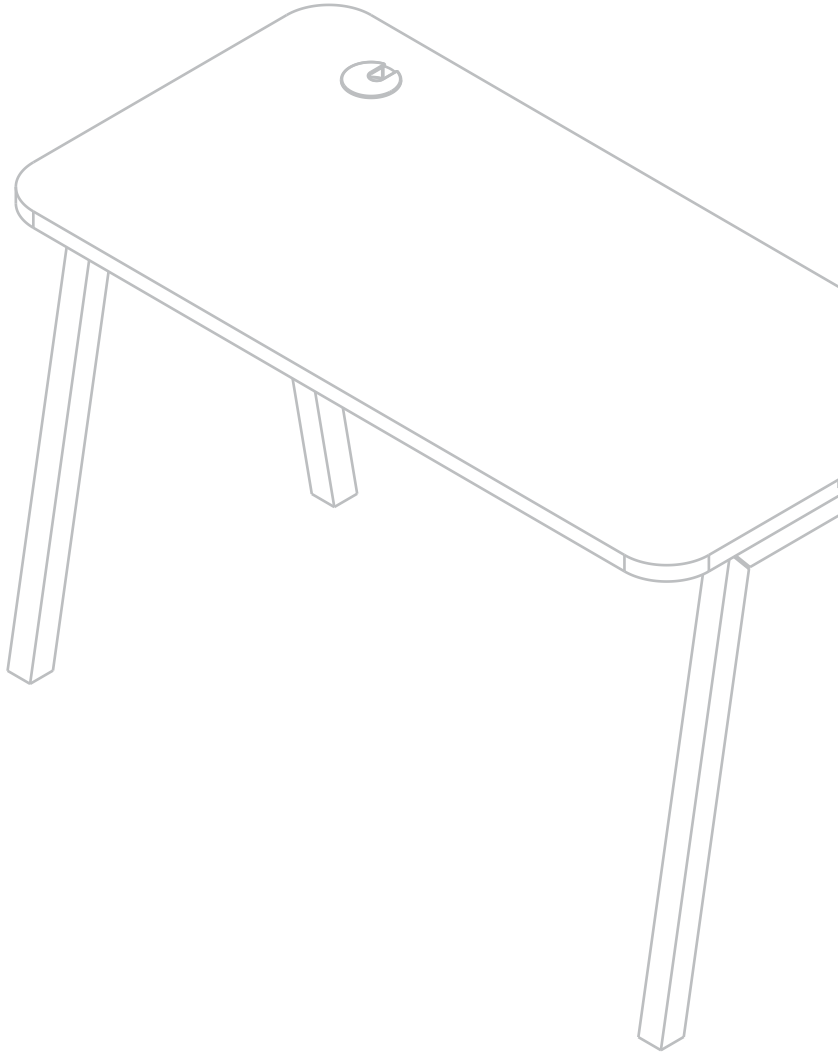
## STEP 3

Leg to leg assembly with cross members  
(Allen bolt by using Allen key)  
Wire Manager (Push in work top hole)



## STEP 4

Wire Manager Tray -  
Cable tray to worktop fixing  
(Allen bolt by using Allen key)



E-mail us at: [response@hni-india.com](mailto:response@hni-india.com)  
Find us at: [www.estore.hni-india.com](http://www.estore.hni-india.com)