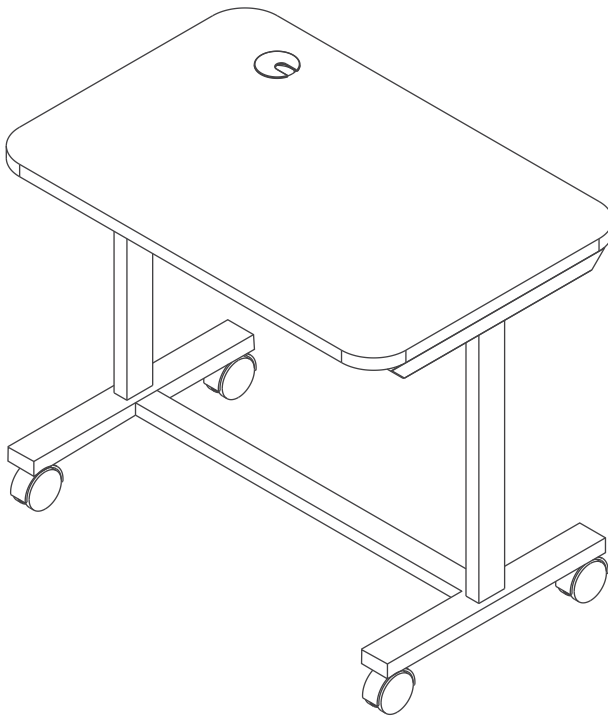




# Installation Guideline

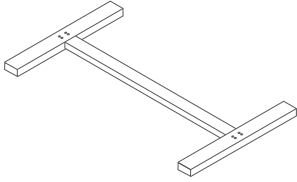


---

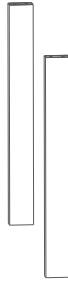
**Ona**

# Components

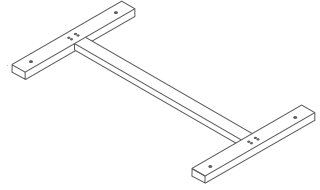
---



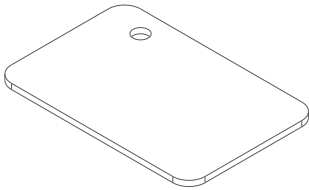
Base



Leg



Top



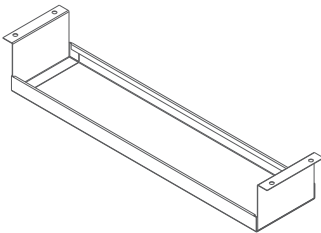
Work top



Caster



Wire Manager



Wire Manager Tray

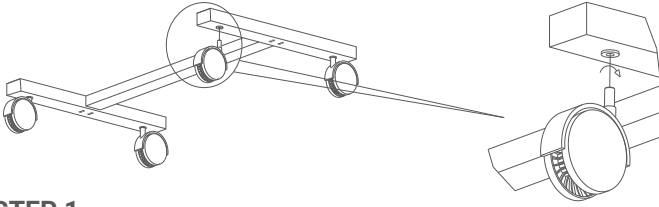
## Tools Required

---

Allen Key (available in fastener set)

# Easy 5 Step Assembly

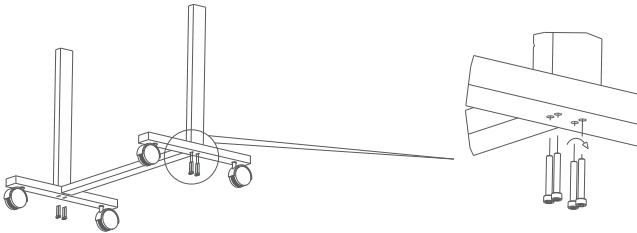
---



## STEP 1

Understructure Base to Caster assembly (align and rotate caster)

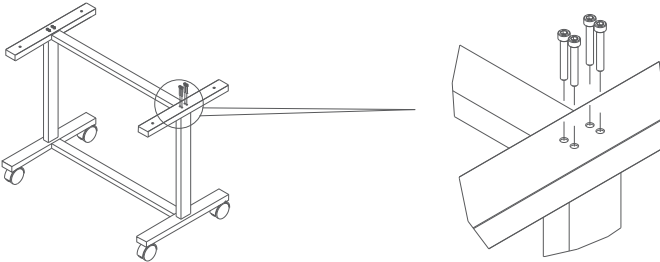
---



## STEP 2

Understructure Base to Leg assembly (Allen bolt by using Allen key)

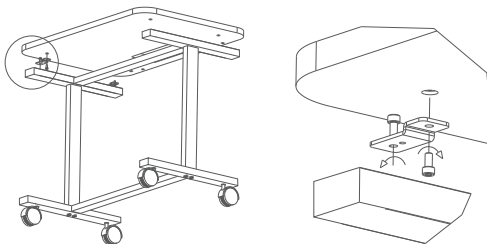
---



## STEP 3

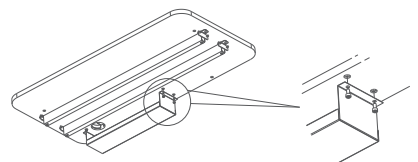
Leg to Understructure top assembly (Allen bolt by using Allen key)

---



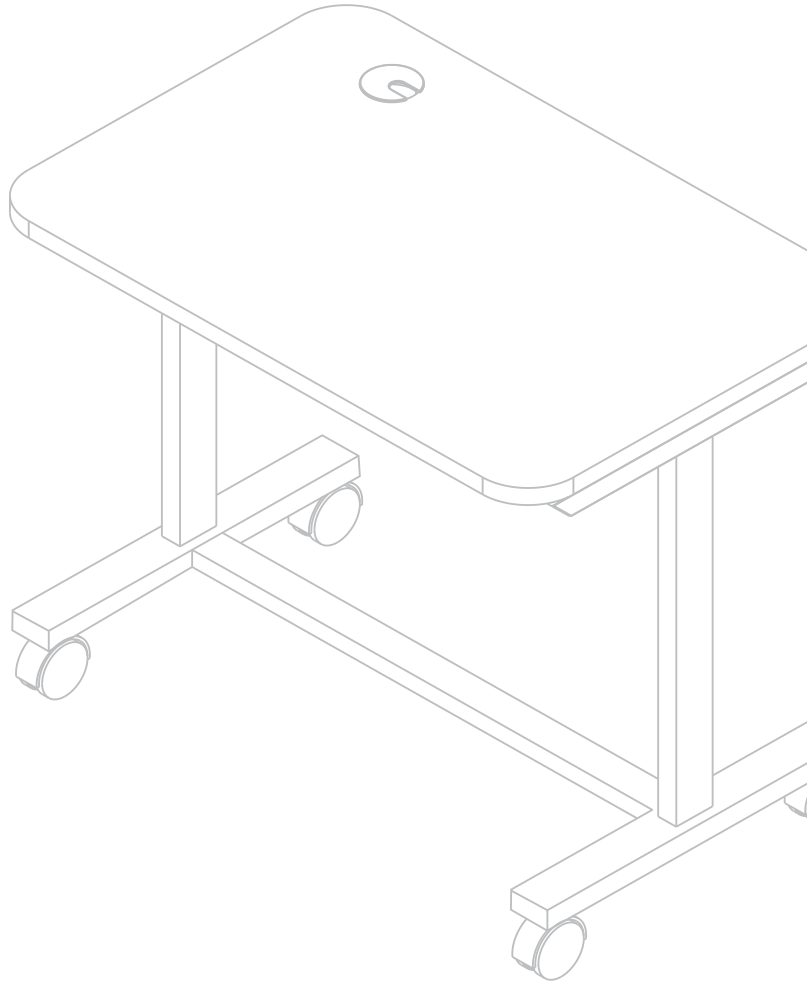
## STEP 4

Complete understructure to work top assembly (Allen bolt by using Allen key)  
Wire Manager (Push in work top hole)



## STEP 5

Wire Manager Tray -  
Cable tray to worktop fixing  
(Allen bolt by using Allen key)



E-mail us at: [response@hni-india.com](mailto:response@hni-india.com)

Find us at: [www.estore.hni-india.com](http://www.estore.hni-india.com)